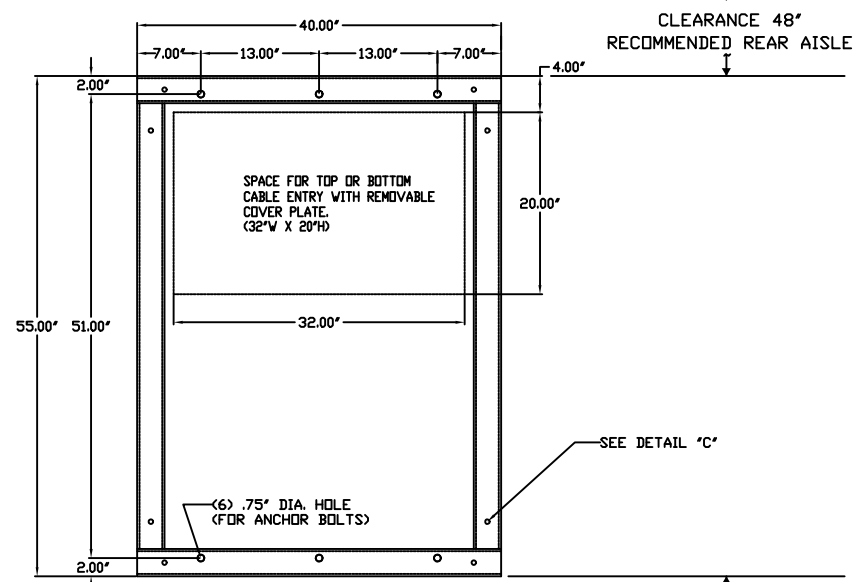
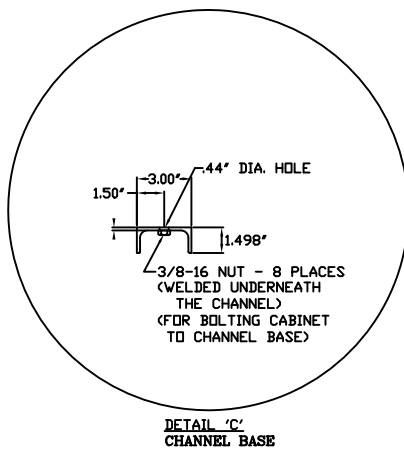


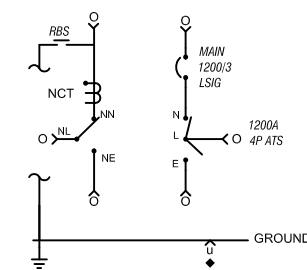
REVISIONS				
REV.	ECN	DESCRIPTION	DATE	APPROVED
B	-	MODIFIED	03-11-2009	T.G.A. KP



BASE DETAIL



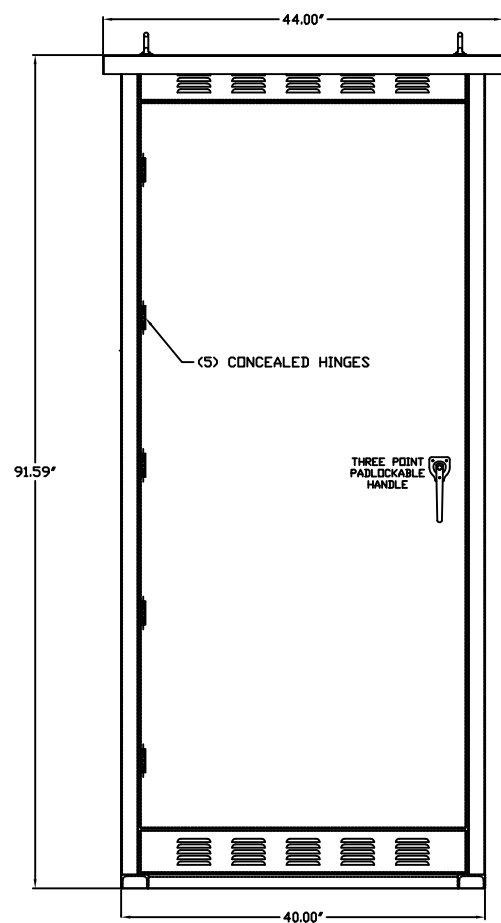
DETAIL 'C' CHANNEL BASE



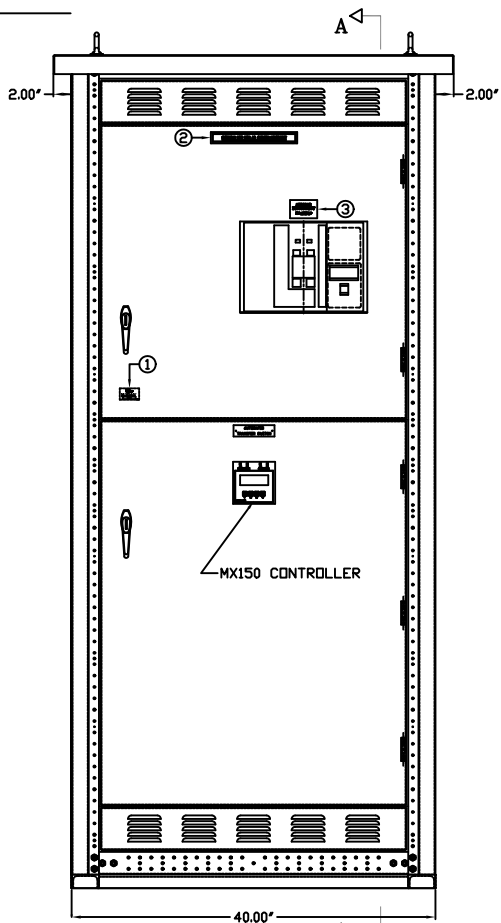
ONE LINE DIAGRAM (1200A)

SYMBOL LEGEND
 O & u = MECH. LUGS (SEE TABLE FOR DETAILS)
 NCT = NEUTRAL CURRENT SENSOR
 RBS = REMOVABLE GROUND STRAP

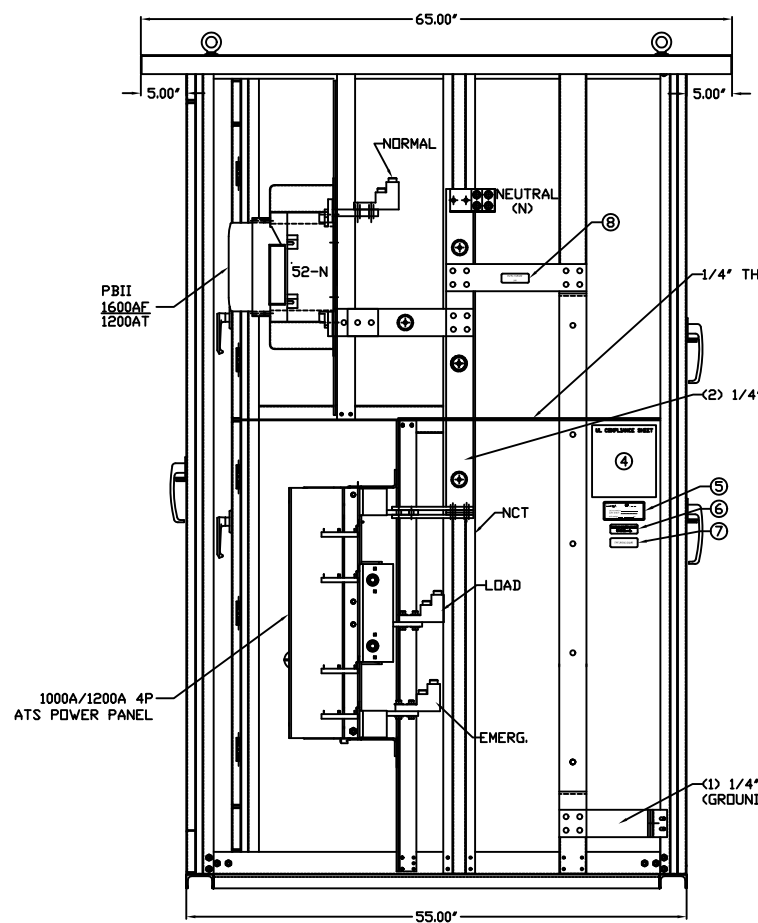
NOTES:			
SYSTEM RATING: 50KA			
ENCLOSURE:	NEMA 3R TYPE	LABELS	
INSTALLATION:	FLOOR MOUNTED	1. Y320082	UL891 CON INNER SIDE OF DOOR
FINISH:	ANSI 61 GRAY	2. V-1811	SUITABLE FOR AS SERVICE ENTRANCE
ACCESS:	REAR & SIDES	3. YA32699	SERVICE DISCONNECT
COMPONENTS RATING AND SPECIFICATIONS (ATS):			
SERVICE ENTRANCE:	1000-1200A, 4 POLE UNIT, FULLY RATED	4. YA90026	UL COMPLIANCE SHEET
SHORT CIRCUIT WITHSTAND AND CLOSING RATING (UL)	50kA @ 480V	5. YA31193	SECTION AMPACITY
CIRCUIT BREAKER:			
GE PBII-ICCB, MICRO-VERSA TRIP PLUS, LSIG TRIP UNIT		6. YA30600	500-1000 MCM TORQUE
MOUNT TYPE:	STATIONARY	7. YA30601	NEMA 3R ENCLOSURE
SIZE:	1600AF/1200AT-1000AT	8. YA30602	NEUTRAL TO GROUND LINK
SHORT CIRCUIT INTERRUPT RATING	65kAIC @ 480V	9. YA31238	HIGH VOLTAGE DANGER
UL LABEL	891		
	SUITABLE TO USE AS SERVICE ENTRANCE EQUIPMENT		
BUS:			
MATERIAL:	COPPER 1000A/in (2-1/4" X 3" PHASE/NEUTRAL)		
	(1-1/4" X 3" GROUND BUS)		
CABLE:			
32-N	(4)-600kcmil PER PHASE & NEUTRAL		
LOAD	(4)-600kcmil PER PHASE & NEUTRAL		
EMERGENCY	(4)-600kcmil PER PHASE & NEUTRAL		
GROUND	(12)-1/0-250kcmil		



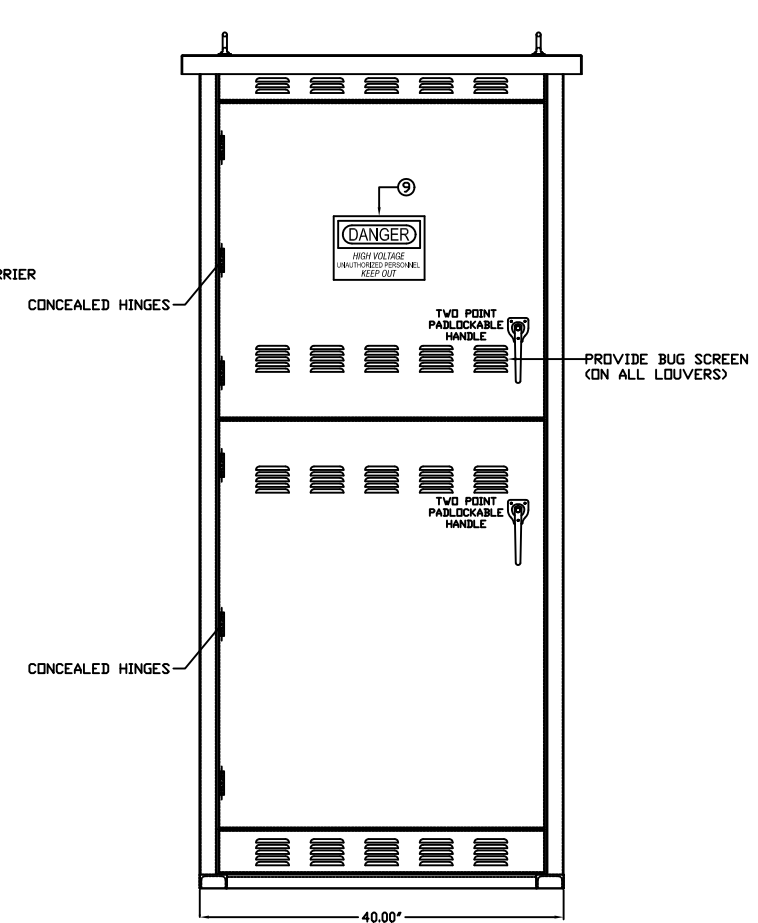
FRONT VIEW



FRONT VIEW SHOWN WITH OUTER DOOR REMOVED



SECTION "A - A"



REAR VIEW

**NEMA_3R_ENCLOSURE
4_POLES_ATS**

**NOT CERTIFIED
FOR CONSTRUCTION**

GE PROPRIETARY AND CONFIDENTIAL INFORMATION
 This document is the property of General Electric Company (GE) and contains proprietary information of GE. This document is loaned on the express condition that neither it nor the information contained therein shall be disclosed to others without the express written consent of GE Industrial Systems, and that the information shall be used by the recipient only as approved expressly by GE Industrial Systems. This document shall be returned to GE upon its request. This document may be subject to certain restrictions under U.S. export control laws and regulations.

FOR ADDITIONAL INFO REFER TO	SIGNATURES	DATE
APPLIED PRACTICES	MODEL T.G.A.	02-27-2008
UNLESS OTHERWISE SPECIFIED DIMENSIONS ARE IN INCHES	DETAIL	
TOLERANCES ON:	CHECKED	
2 PL. DECIMALS ± .020	ENGRG T.G.A.	
3 PL. DECIMALS ± .005	MFG	
ANGLES ± 1°	QUALITY	
FRACTIONS ± 1/64	ISSUED	
FINISH ✓	DRAWING FILE: ZTGSE12(4P-N3R)-OU	
	MODEL / ASSEMBLY FILE:	
	# CTG's	

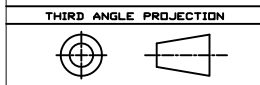
GE Zenith Controls

TITLE: 1000A/1200A SERVICE ENTRANCE (4P-N3R) OUTLINE DRAWING

FIRST MADE FOR: ZTGSE12(4P-N3R)

SIZE: N/A CAGE CODE: N/A DWG NO. ZTGSE12(4P-N3R)

SCALE: NONE SHEET 1 OF 1



AutoCad Generated