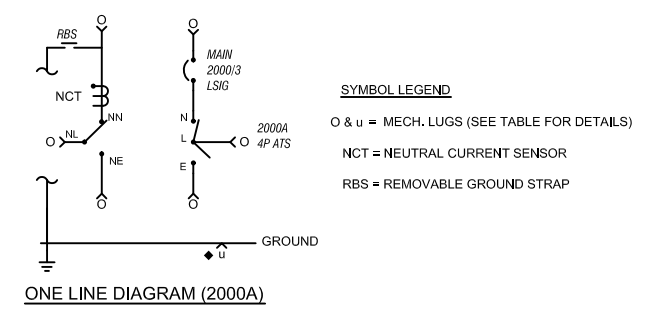
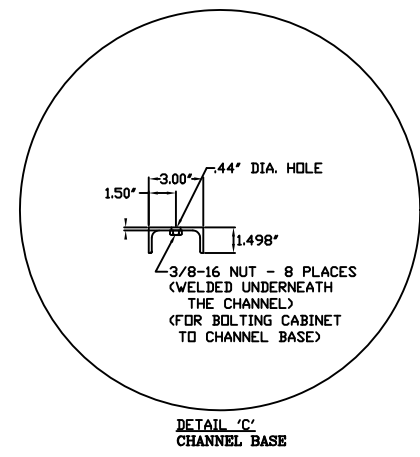
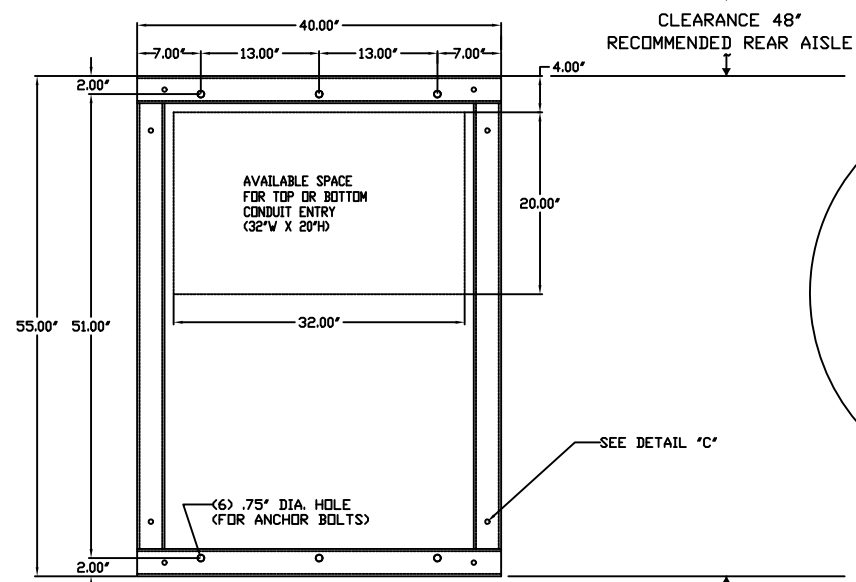
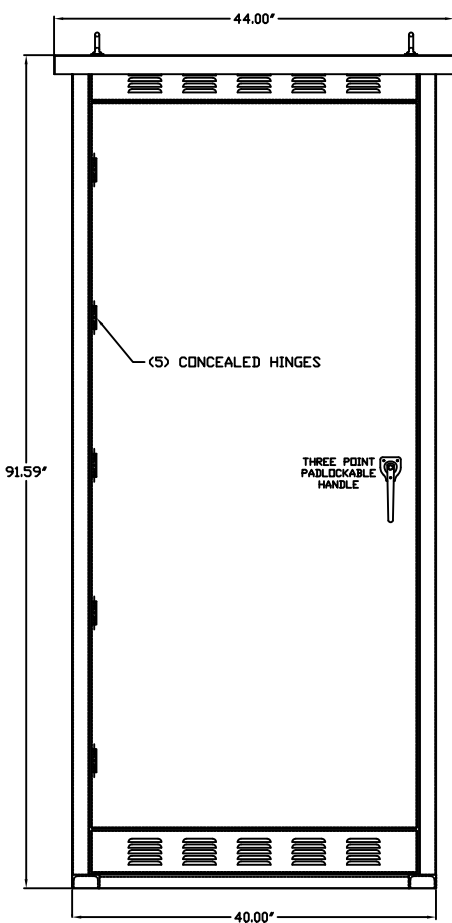


REVISIONS				
REV.	ECN	DESCRIPTION	DATE	APPROVED
B	-	MODIFIED	03-11-2009	T.G.A. KP

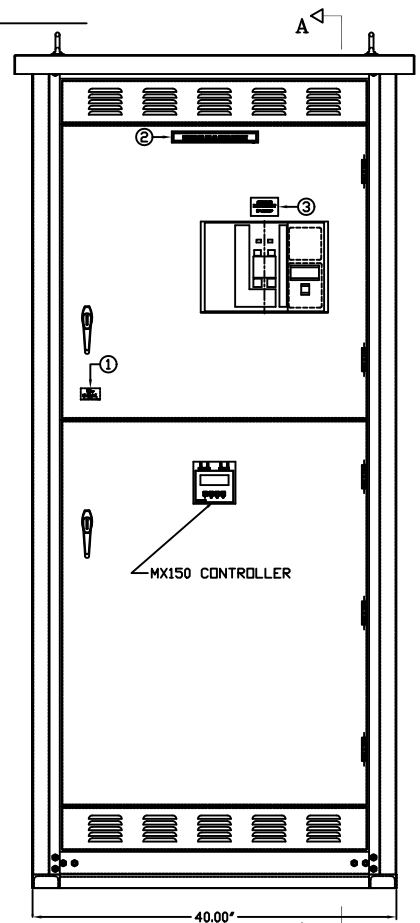


NOTES			
SYSTEM RATING: 65KA			
ENCLOSURE:	NEMA 3R TYPE	LABELS	
INSTALLATION:	FLOOR MOUNTED	1. Y3200B2	UL891 (ON INNER SIDE OF DOOR)
FINISH:	ANSI 61 GRAY	2. V-1811	SUITABLE FOR AS SERVICE ENTRANCE
ACCESS:	REAR & SIDES	3. YA32695	SERVICE DISCONNECT
COMPONENTS RATING AND SPECIFICATIONS (ATS):		4. YA90026	UL COMPLIANCE SHEET
SERVICE ENTRANCE:	1600-2000A, 4 POLE UNIT, FULLY RATED	5. YA31193	SECTION AMPACITY
SHORT CIRCUIT WITHSTAND AND CLOSING RATING (CL):	100kA @ 480V	6. YA30600	500-1000 NCM TORQUE
CIRCUIT BREAKER:		7. YA30601	TYPE 1 ENCLOSURE
GE PBII-ICCB, MICRO-VERSA TRIP PLUS, LSIG TRIP UNIT		8. YA30602	NEUTRAL TO GROUND LINK
		9. YA31238	HIGH VOLTAGE DANGER
MOUNT TYPE:	STATIONARY		
SIZE:	2000AF/2000AT-1600AT		
SHORT CIRCUIT INTERRUPT RATING:	65kAIC @ 480V		
UL LABEL:	991		
	*SUITABLE TO USE AS SERVICE ENTRANCE EQUIPMENT*		
BUSES:			
MATERIAL:	COPPER 1000A/in (2-1/4" X 4" PHASE/NEUTRAL)		
	(1-1/4" X 3" GROUND BUS)		
FINISH:			
	SILVER PLATED		
CABLES:			
SE-N	(8)-600kcmil PER PHASE & NEUTRAL		
LOAD	(8)-600kcmil PER PHASE & NEUTRAL		
EMERGENCY	(8)-600kcmil PER PHASE & NEUTRAL		
GROUND	(24)-1/0-250kcmil		

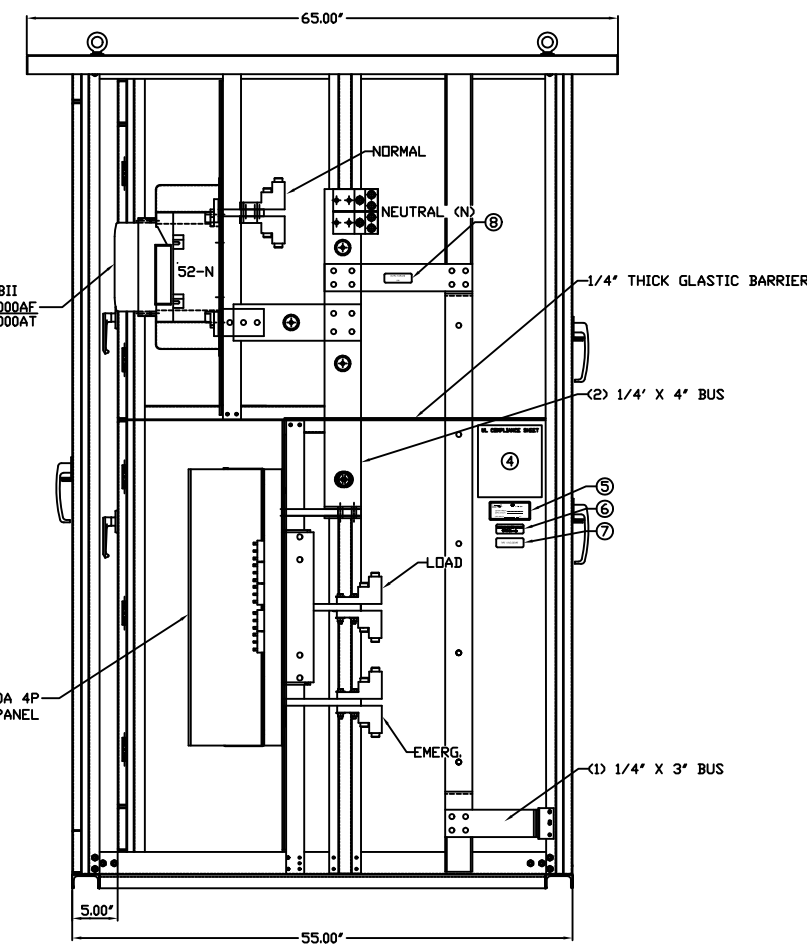
BASE DETAIL



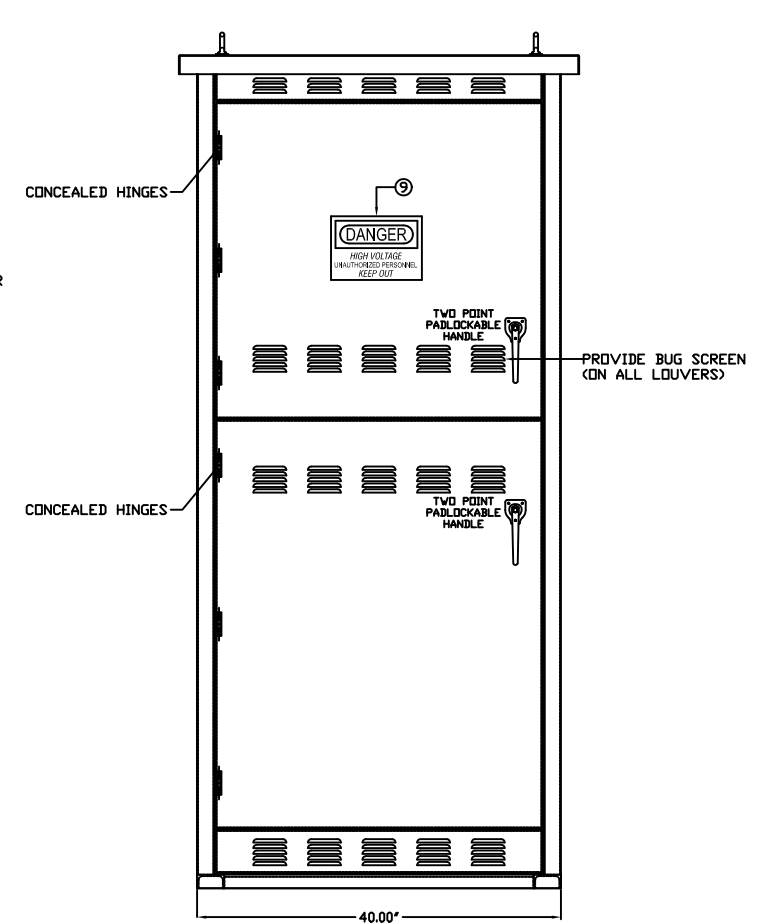
FRONT VIEW



FRONT VIEW SHOWN WITH OUTER DOOR REMOVED



SECTION "A - A"



REAR VIEW

NEMA\_3R\_ENCLOSURE  
4\_POLES\_ATS

NOT CERTIFIED  
FOR CONSTRUCTION

GE PROPRIETARY AND CONFIDENTIAL INFORMATION  
This document is the property of General Electric Company (GE) and contains proprietary information of GE. This document is loaned on the express condition that neither it nor the information contained therein shall be disclosed to others without the express written consent of GE Industrial Systems, and that the information shall be used by the recipient only as approved expressly by GE Industrial Systems. This document shall be returned to GE upon its request. This document may be subject to certain restrictions under U.S. export control laws and regulations.

FOR ADDITIONAL INFO REFER TO	SIGNATURES	DATE
APPLIED PRACTICES	MODEL T.G.A	02-18-2008
UNLESS OTHERWISE SPECIFIED DIMENSIONS ARE IN INCHES	DETAIL	
TOLERANCES ON:	CHECKED	
2 PL. DECIMALS ± .020	ENGR	
3 PL. DECIMALS ± .005	MFG	
ANGLES ± 1°	QUALITY	
FRACTIONS ± 1/64	ISSUED	
FINISH ✓	DRAWING FILE: ZTGSE20(4P-N3R)-OU	SBZ1
	MODEL / ASSEMBLY FILE:	N/A
	# CTOs	0

**GE Zenith Controls**

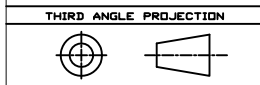
TITLE: 1600/2000A SERVICE ENTRANCE (4P-N3R) OUTLINE DRAWING

FIRST MADE FOR: ZTGSE20(4P-N3R)-OUT-A-1

DWG NO. ZTGSE20(4P-N3R)

SCALE: NONE

SHEET 1 OF 1



AutoCad Generated