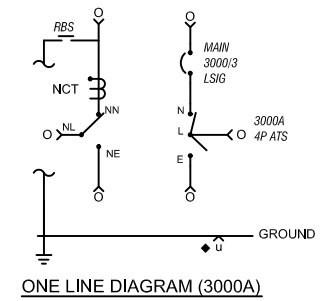
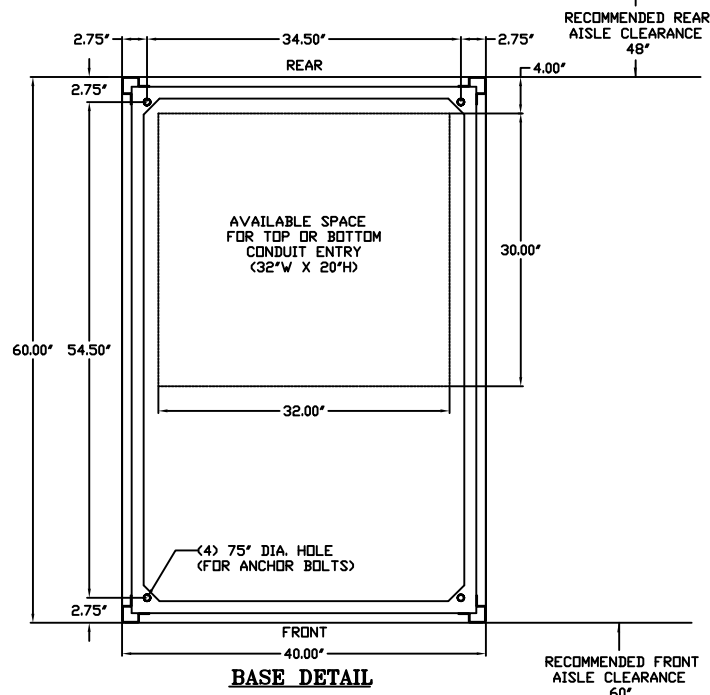
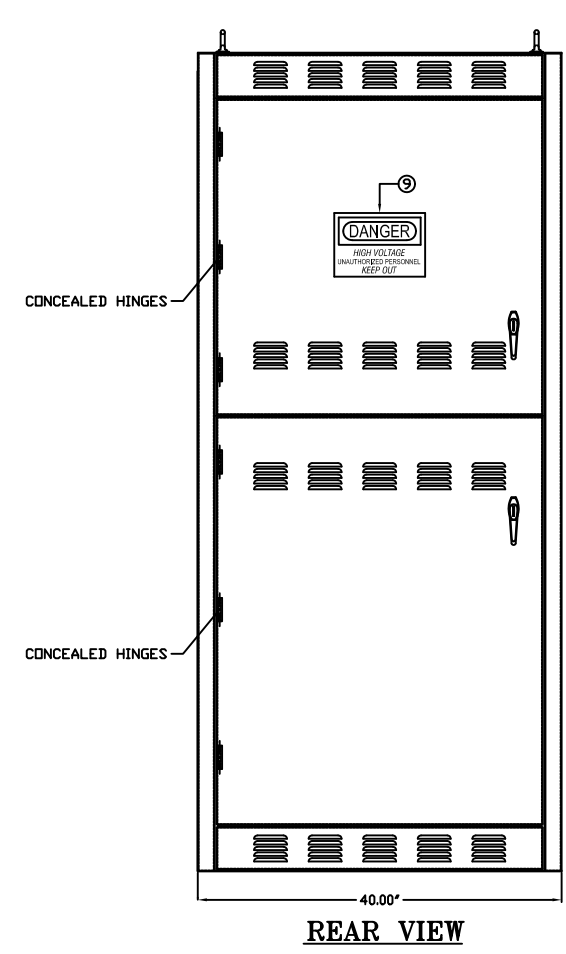
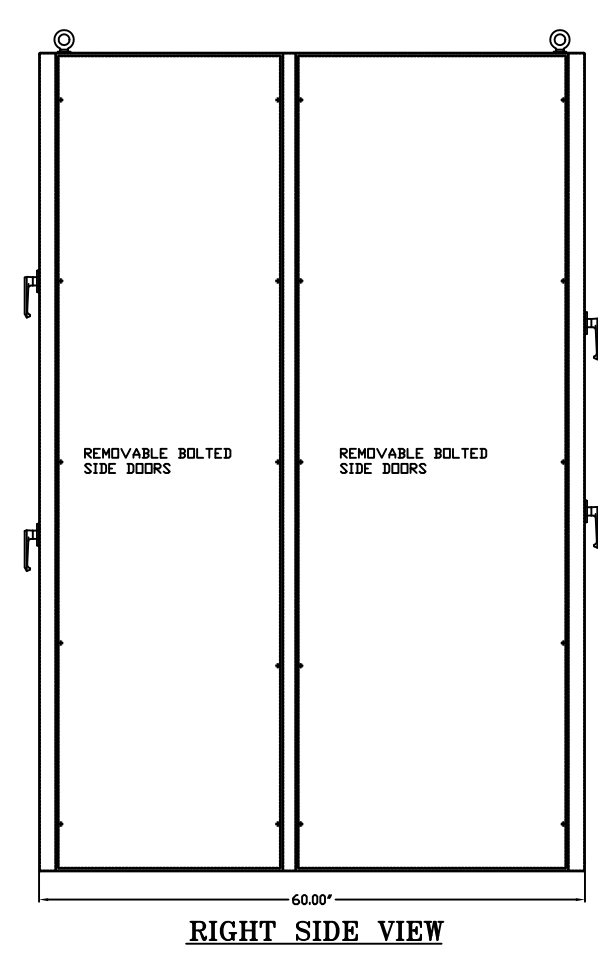
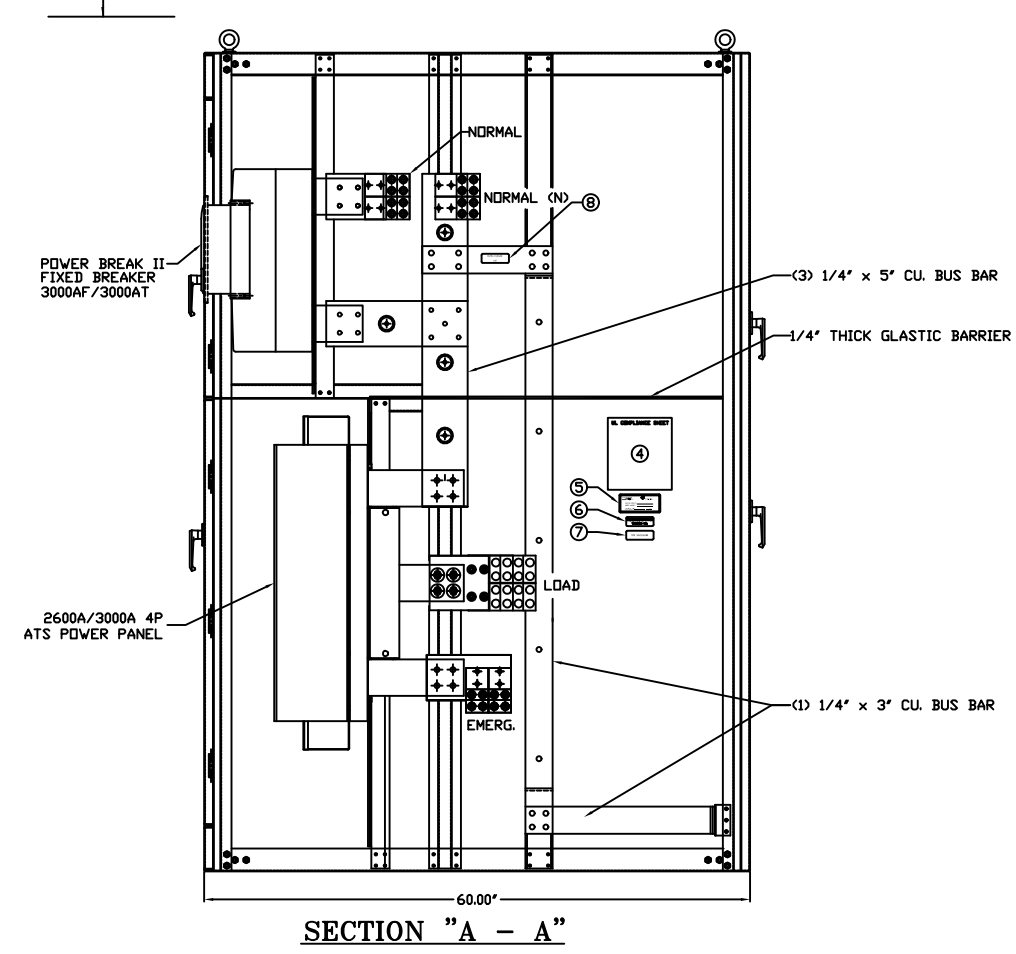
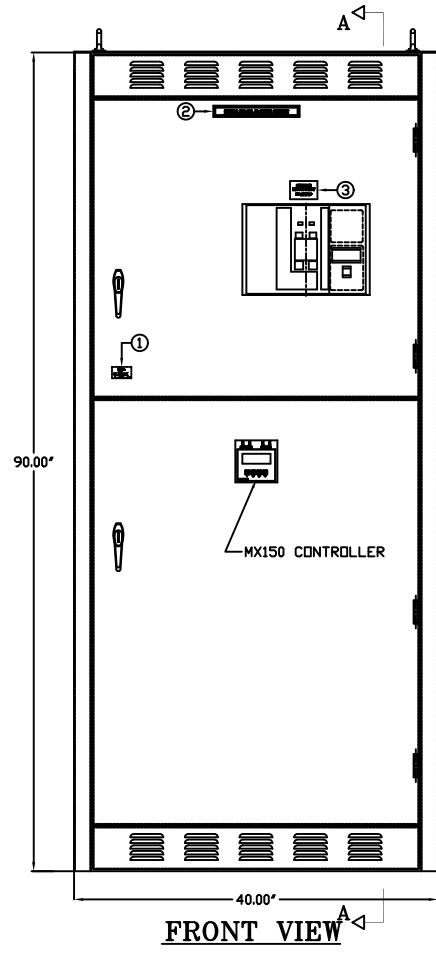


REVISIONS				
REV.	ECN	DESCRIPTION	DATE	APPROVED
B	-	MODIFIED	03-11-2009	T.G.A. KP



SYMBOL LEGEND
 O & u = MECH. LUGS (SEE TABLE FOR DETAILS)
 NCT = NEUTRAL CURRENT SENSOR
 RBS = REMOVABLE GROUND STRAP

NOTES:			
SYSTEM RATING: 100KA			
ENCLOSURE:	NEMA 1 TYPE	LABELS	
INSTALLATION:	FLOOR MOUNTED	1. Y320082	UL891 CON INNER SIDE OF DOOR
FINISH:	ANSI 61 GRAY	2. V-1811	SUITABLE FOR AS SERVICE ENTRANCE
ACCESS:	REAR & SIDES	3. YA32695	SERVICE DISCONNECT
COMPONENTS RATING AND SPECIFICATIONS (ATS):		4. YA90026	UL COMPLIANCE SHEET
SERVICE ENTRANCE:	2600-3000A, 4 POLE UNIT, FULLY RATED	5. YA31193	SECTION AMPACITY
SHORT CIRCUIT WITHSTAND AND CLOSING RATING (KVA):	100KA @ 480V	6. YA30600	500-1000 MCM TORQUE
		7. YA30601	NEMA 1 ENCLOSURE
CIRCUIT BREAKER:		8. YA30602	NEUTRAL TO GROUND LINK
GE PBII-ICCB, MICRO-VERSA TRIP PLUS, LSIG TRIP UNIT		9. YA31238	HIGH VOLTAGE DANGER
MOUNT TYPE:	STATIONARY		
SIZE:	3000AF/3000AT-2500AT		
SHORT CIRCUIT INTERRUPT RATING	100KAIC @ 480V		
UL LABEL	891		
	SUITABLE TO USE AS SERVICE ENTRANCE EQUIPMENT		
BUS:			
MATERIAL:	COPPER 1000A/IN C3-1/4" X 5" PHASE/NEUTRAL		
	(1-1/4" X 3" GROUND BUS)		
FINISH:			
	SILVER PLATED		
CABLE:			
32-N	(8)-600Kcmil PER PHASE & NEUTRAL		
LOAD	(8)-600Kcmil PER PHASE & NEUTRAL		
EMERGENCY	(8)-600Kcmil PER PHASE & NEUTRAL		
GROUND	(24)-1/0-250Kcmil		



**NEMA_1_ENCLOSURE
4_POLES_ATS**

**NOT CERTIFIED
FOR CONSTRUCTION**

GE PROPRIETARY AND CONFIDENTIAL INFORMATION
 This document is the property of General Electric Company (GE) and contains proprietary information of GE. This document is loaned on the express condition that neither it nor the information contained therein shall be disclosed to others without the express written consent of GE Industrial Systems, and that the information shall be used by the recipient only as approved expressly by GE Industrial Systems. This document shall be returned to GE upon its request. This document may be subject to certain restrictions under U.S. export control laws and regulations.

FOR ADDITIONAL INFO REFER TO	SIGNATURES	DATE	
APPLIED PRACTICES	MODEL T.G.A	09-01-2006	
UNLESS OTHERWISE SPECIFIED DIMENSIONS ARE IN INCHES	DETAIL		TITLE: 2500-3000A SERVICE ENTRANCE (4P-N1) ZTGSE OUTLINE DRAWING FIRST MADE FOR: ZTGSE30(4P-N1)-OUT
TOLERANCES ON:	CHECKED		
2 PL. DECIMALS ± .020	ENGRG		
3 PL. DECIMALS ± .005	MFG		
ANGLES ± 1°	QUALITY		
FRACTIONS ± 1/64	ISSUED		DWG NO. ZTGSE30(4P-N1)-OUT SHEET 1 OF 1
FINISH ✓	ISSUED		
AutoCad Generated	# CTQs	CRITICAL TO QUALITY CHARACTERISTIC	SCALE: NONE

