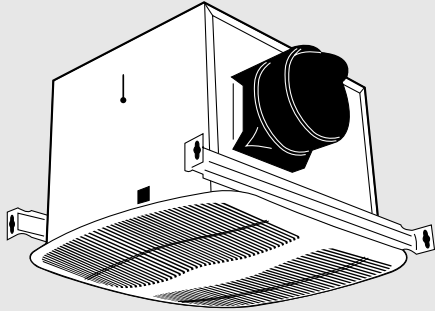


GE Ultra Quiet Bath Fan

BF110UQ Specifications



RATING

- 110 CFM / 2.0 sones @ 0.10" wg
- 120V, 0.31A, 60 Hz

APPLICATION

- Acceptable for use over tub or shower when installed in a GFCI-protected branch circuit

GRILL

- White polymeric grill secured in place with torsion springs; easily removed if necessary
- Dimensions: 11" x 13 3/4"

BLOWER WHEEL

- One-piece polymeric centrifugal wheel
- 5.22" diameter, 2.90" wide, 30 paddles

MOTOR

- Heavy-duty, PSC, 4 pole
- Lifetime lubrication, thermally protected
- 120V, 0.31A

FAN HOUSING

- 23 gauge galvanized steel
- Dimensions: 11 3/8" x 9 5/8" x 8 3/8"

DUCT COLLAR

- Plastic collar for 4" duct connection
- Built-in non-metallic back draft damper for quiet operation

UNIT MOUNTING

- Rated Type IC for ceilings insulated to R-40 with at least 8" of clearance
- Maximum drywall thickness: 3/4"
- Rough-in opening: 11 1/2" x 9 3/4"
- Mounting options: Directly to the joist using 2 large keyhole slots or centered between joists (with 16" centers) using hanging brackets

EFFECTIVE SQ. FT.

- Bathrooms: up to 110 square feet
- Other rooms: up to 125 square feet

SHIPPING

- Box dimensions: 14 1/8" x 11 5/8" x 9 5/8"
- Unit weight: 10 lbs.
- Cube: 0.90
- Pallet: 36
- UPC: 7 83164 32926 1

STANDARDS

- UL-507 (Electric Fans)
- CSA C22.2 No. 113 (Fans & Ventilators)
- HVI Certified (Standard 916 Air Flow Test & Standard 915 Procedure for Loudness Rating of Residential Fan Products)



HVI PERFORMANCE DATA

	Static pressure (inches of wg)								
	0	0.05	0.1	0.15	0.2	.025	.03	.035	.04
CFM	130	121	112	106	100	96	90	84	78
RPM	945	1128	1206	1350	1500	1560	1613	1690	1713
Watts	37	34	33	33	32	31	30	29	29



GE Industrial Systems

General Electric Company
41 Woodford Avenue, Plainville, CT 06062
www.GEindustrial.com

© 2003 General Electric Company