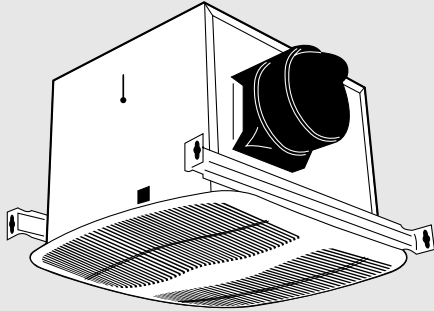


# GE Ultra Quiet Bath Fan

## BF125UQ Specifications



### **RATING**

- 110 CFM / 2.0 sones @ 0.10" wg
- 120V, 0.31A, 60 Hz

### **APPLICATION**

- Acceptable for use over tub or shower when installed in a GFCI-protected branch circuit

### **GRILL**

- White polymeric grill secured in place with torsion springs; easily removed if necessary
- Dimensions: 11" x 13 3/4"

### **BLOWER WHEEL**

- One-piece polymeric centrifugal wheel
- 5.22" diameter, 2.90" wide, 30 paddles

### **MOTOR**

- Heavy-duty, PSC, 4 pole
- Lifetime lubrication, thermally protected
- 120V, 0.31A

### **FAN HOUSING**

- 23 gauge galvanized steel
- Dimensions: 11 3/8" x 9 5/8" x 8 3/8"

### **DUCT COLLAR**

- Plastic collar for 4" duct connection
- Built-in non-metallic back draft damper for quiet operation

### **UNIT MOUNTING**

- Rated Type IC for ceilings insulated to R-40 with at least 8" of clearance
- Maximum drywall thickness: 3/4"
- Rough-in opening: 11 1/2" x 9 3/4"
- Mounting options: Directly to the joist using 2 large keyhole slots or centered between joists (with 16" centers) using hanging brackets

### **EFFECTIVE SQ. FT.**

- Bathrooms: up to 110 square feet
- Other rooms: up to 125 square feet

### **SHIPPING**

- Box dimensions: 14 1/8" x 11 5/8" x 9 5/8"
- Unit weight: 10 lbs.
- Cube: 0.90
- Pallet: 36
- UPC: 7 83164 34331 1

### **STANDARDS**

- UL-507 (Electric Fans)
- CSA C22.2 No. 113 (Fans & Ventilators)
- HVI Certified (Standard 916 Air Flow Test & Standard 915 Procedure for Loudness Rating of Residential Fan Products)



### **HVI PERFORMANCE DATA**

	Static pressure (inches of wg)								
	0	0.05	0.1	0.15	0.2	.025	.03	.035	.04
<b>CFM</b>	130	121	112	106	100	96	90	84	78
<b>RPM</b>	945	1128	1206	1350	1500	1560	1613	1690	1713
<b>Watts</b>	37	34	33	33	32	31	30	29	29



**GE Industrial Systems**

General Electric Company  
41 Woodford Avenue, Plainville, CT 06062  
www.GEindustrial.com

© 2003 General Electric Company