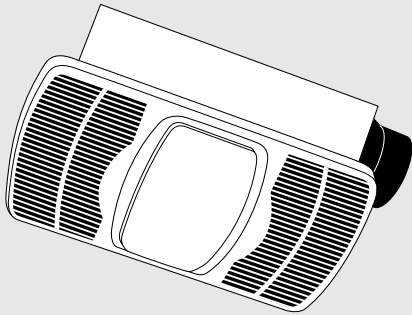


GE Bath Fan, Light & Heater

BFLH85L Specifications



RATING

- 70 CFM / 3.5 sones @ 0.10" wg
- 120V, 15.65A, 60 Hz

GRILL

- White polymeric grill, flame retardant ABS (UL rated 94-5V) secured in place using 2 Phillips head screws; easily removed if necessary
- Dimensions: 17 1/8" x 9 7/8"

LIGHT LENS

- Durable high impact polycarbonate lens, secured in place using integral tabs

BLOWER WHEEL

- Heater: one-piece metal, electronically balanced
- 3.7" x 2.0", 28 fins
- Ventilation: one piece polymeric, electronically balanced
- 3 7/8" x 2 1/2", 21 fins

MOTOR

- Heater: heavy-duty, plug-in, 2 pole
- Lifetime lubrication, thermally protected
- 120V, 60 Hz, 0.9A, 2400 rpm
- Ventilation: heavy-duty, plug-in, 2 pole
- Lifetime lubrication, thermally protected
- 120V, 60 Hz, 0.9A

HOUSING

- 23 gauge galvanized steel
- Dimensions: 14 5/8" x 9 1/8" x 5 7/8"

DUCT COLLAR

- Plastic collar for 4" duct connection
- Built-in non-metallic back draft damper for quiet operation

HEATING ELEMENT

- Wire coil secured by ceramic "J" shaped hooks and terminated by bolt and nut in cylindrical standoffs
- All metal enclosure
- Rated 1500W, 5120 Btu

LAMPING

- Up to 100W incandescent, Type A lamp

UNIT MOUNTING

- Designed for ceilings insulated to R-40 with at least 6" clearance
- Maximum drywall thickness: 3/4"
- Rough-in opening: 14 13/16" x 9 1/4"
- Mount between joists (with 16" centers) or butted up against a joist

EFFECTIVE SQ. FT.

- Bathrooms: up to 70 square feet
- Other rooms: up to 85 square feet

SHIPPING

- Box dimensions: 19" x 13 3/8" x 8 7/8"
- Unit weight: 15 lbs.
- Cube: 1.20
- Pallet: 48
- UPC: 7 83164 34343 4

STANDARDS

- UL-507 (Electric Fans)
- CSA C22.2 No. 113 (Fans & Ventilators)
- HVI Certified (Standard 916 Air Flow Test & Standard 915 Procedure for Loudness Rating of Residential Fan Products)



HVI PERFORMANCE DATA

	Static pressure (inches of wg)								
	0	0.05	0.1	0.15	0.2	.025	.03	.035	.04
CFM	77	74	71	68	65	61	57	52	45
RPM	2300	2400	2450	2500	2550	2600	2650	2710	2840



GE Industrial Systems

General Electric Company
41 Woodford Avenue, Plainville, CT 06062
www.GEindustrial.com
© 2003 General Electric Company